



TRU-BLU **K9000**[®] TWIN 2.0

From \$35,000 +GST

Based on the Proven K9000[®] Design and Functionality

- Ideal for outdoor/indoor application
- Touchpad user Controls
- MDB Vending interface
- LED Lighting over tub
- Multiple user payment options available
- Seamless Cashless integration options with remote auditing available
- Customisable Top Up payments (credit card & cash)
- 4 x soap dispensing pumps PER SIDE (8 in total)
- Two speed Blow Dryers (1 per side)
- Onboard Hot Water options
- Hair free non-slip floor
- Maximum Visual Impact
- Wash twice the dogs in the same time as one unit
- No more waiting for customers with 2 x tubs available
- Better ROI than 2 x single K9000 Units

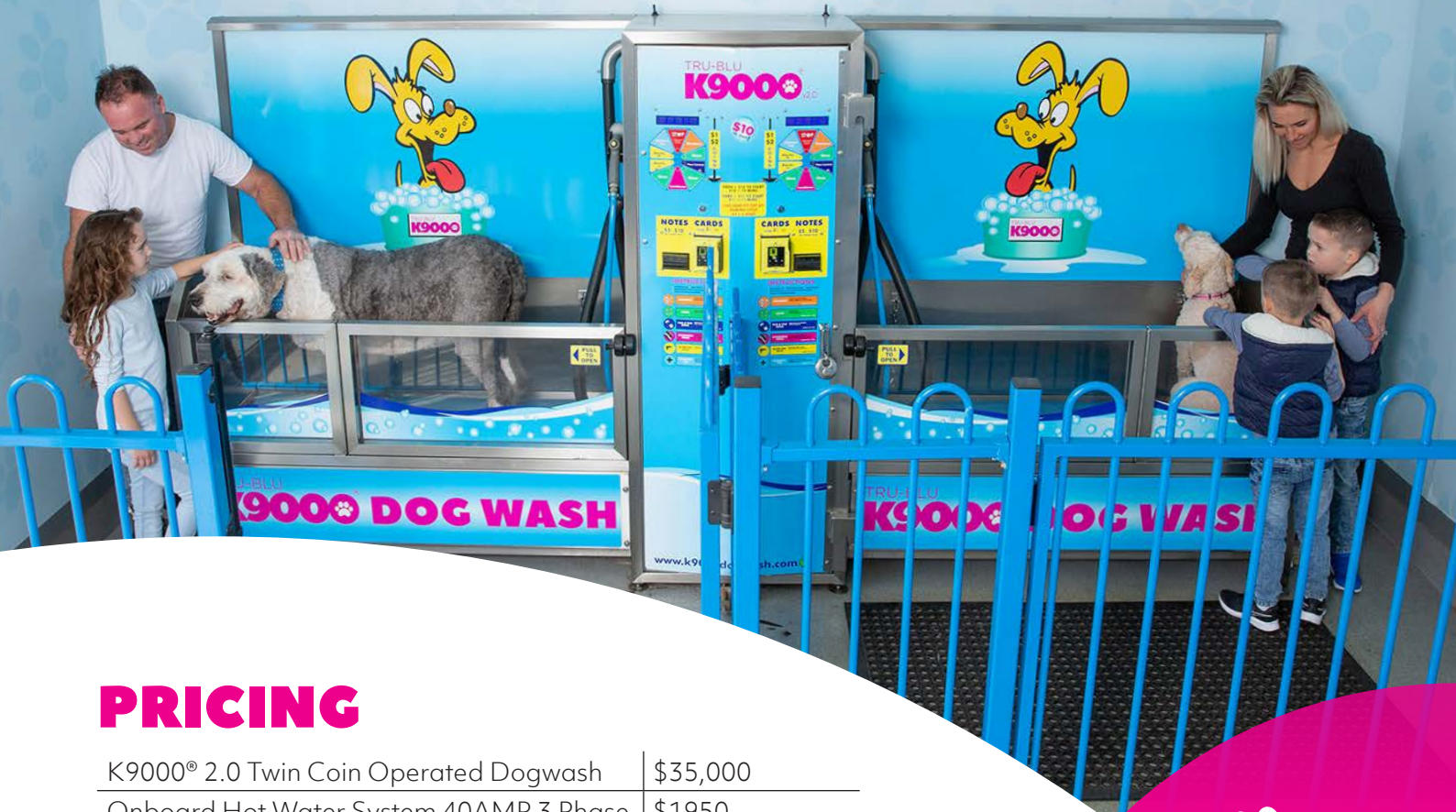


SUITED TO

- Carwashes
- Pet stores
- Laundromats



QUALITY, RELIABILITY, PROFIT. LET'S GET YOUR TAIL WAGGING!



PRICING

K9000® 2.0 Twin Coin Operated Dogwash	\$35,000
Onboard Hot Water System 40AMP 3 Phase Instantaneous	\$1950
MEI Note Readers x2	\$1800
High Security Kit inc locks and lock boxes	\$320
Waste Transfer Pump	\$1100
Nayax Credit Card Terminal x2	\$1900 (additional fees apply)
Freight- Delivered to site, over the phone commissioning	\$TBA



FIND US @



@k9000Dogwash



K9000Dog Wash



K9000dogwash.com

K9000® TWIN 2.0 TECHNICAL INFORMATION

TECHNICAL REQUIREMENTS

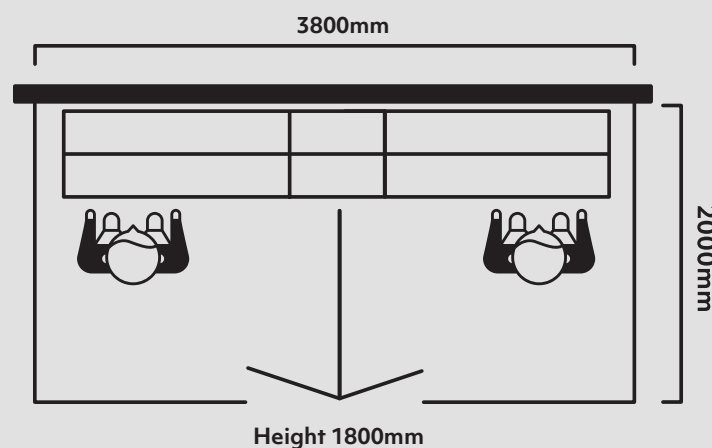
POWER (No onboard hot water- site supplied)	~220-240V	25 AMP
POWER (Onboard hot water)	3 Phase	40 AMP
WATER	50 psi (min) 3/4" Ball Valve	
WASTE	50 mm Diameter Outlet	
WEIGHT	350 Kg	

WARRANTY: 12 months, extended to 24 months when using soap products purchased from TruBlu.

DISPATCH: 2-4 weeks from receipt of deposit.

TERMS: 20% deposit, balance due before dispatch.

TYPICAL SITE REQUIREMENTS



For more information contact us on **03 5562 9088** or email info@trubludogwash.com.au